



10734 Cypress Creek pkwy,
Houston TX 77070
apledworld@gmail.com
+1 713-471-6021

P/N: AST-S-G12C-300WBT3DA1-abcdefW

Note:

AST = Company name

S-G12C = Product series, LED Shoebox Light

300W = Rating Power

B = LED manufacturer, Lumileds 2835

T3 = Diffuser light angle type, TYPE III

D=Color Tunable

A1 = Version number

"a" can be any two letters for lamp colors;

"b" represent Photocell, which can be "3RP", "3NP", "5RP", "5NP", "7RP", "7NP" for Photocell type provided or blank for no Photocell provided.

"c" can be "10SP", "20SP" or blank for Surge protector type provided or not;

"d" can be "M", "DM", "DP" or blank for DC Motion Sensor, DC PIR Sensor provided or not

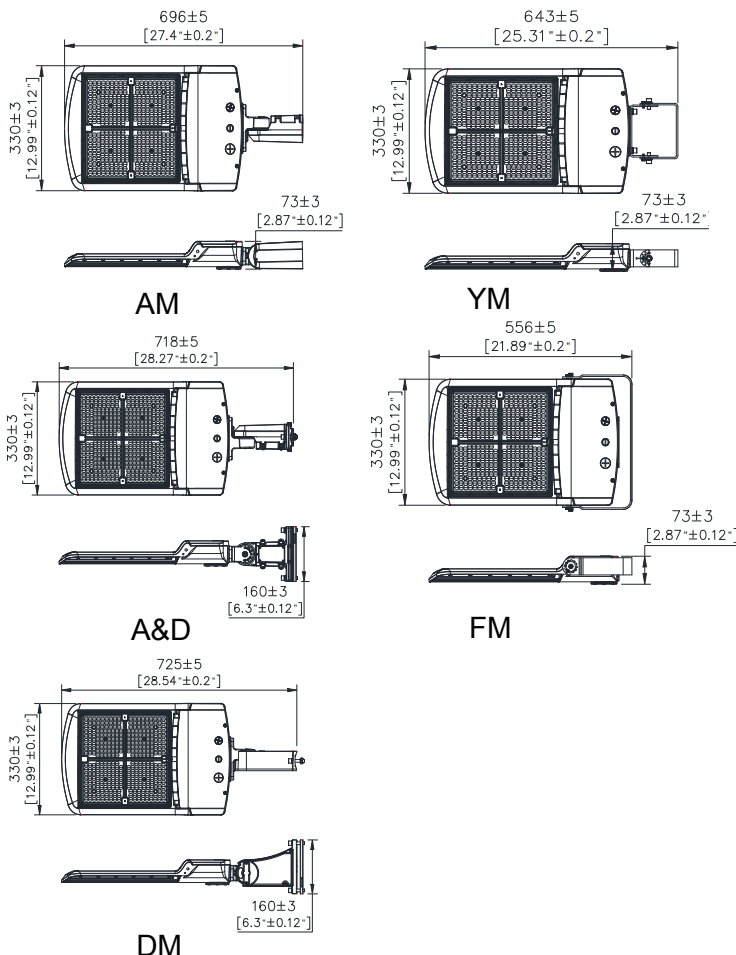
"e" represent bracket, can be "AM", "DM", "YM", "A&D" and "FM" or not.

"f" can be any two digits to represent CCT.

"W" for dimming module provided;



DIMENSIONS



ADVANTAGE

- UL cUL certificate.
- Lumileds Chip, high CRI.
- Input voltage 120-277VAC.
- Output constant current lever can be adjusted through output cable with 0-10V.
- No UV or IR in the beam.
- Easy to install and operate.
- Energy saving, long lifespan.
- Light is soft and uniform, safe to eyes.
- Instant start, NO flickering, NO humming.
- Green and eco-friendly without mercury.

APPLICATION

- Outdoor basketball court, tennis court.
- BA&Dinton court, the football field.
- The school playground, stadium.
- Community leisure entertainment plaza, road luminaire etc.

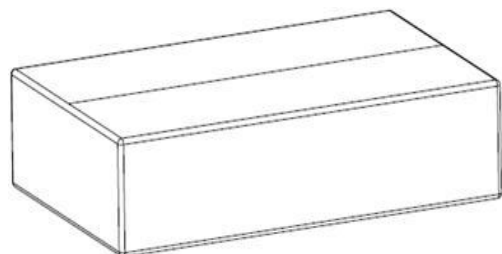
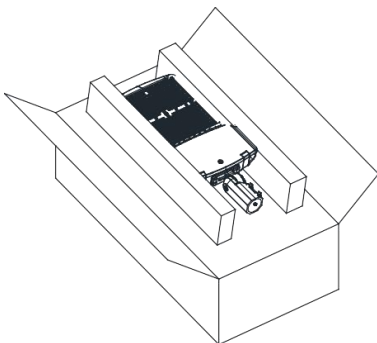
SPECIFICATIONS

OPTICAL	Input Power (Tolerance : ±10%)	300W(Wattage adjustable range 95%-30%)		
	Color Temperature(Color Tunable)	4000K	5000K	5700K
	Lumen (Tolerance : ±10%)	37500 LM	45000 LM	42000 LM
	Efficacy (Tolerance : ±3%)	125 LM/W	150 LM/W	140 LM/W
	CRI	>80		
	Color Consistency	< 7 Steps (or < 7 SDCM)		
	BUG	B4-U0-G5		
	Distribution Pattern	Type III		
	Beam Angle (50%) (Tolerance : ±15%)	150*90 Degree		
ELECTRICAL	Input Voltage and Frequency	120-277VAC, 50/60Hz		
	PF (Tolerance : -3%)	≥0.9		
	THD (Tolerance : +5%)	≤20%		
	Flicker Percent	< 5%		
	Driver Brand	SOSEN		
	Driver Model	SS-320NH-E260BH		
	Driver Surge protection	L/N-PE: 6kV, L-N: 6kV		
	Dimming	0-10V dimming standard		
	Sensor Type	Occupancy Sensor, Exterior Photocell, Integral Sensor Receptacle		
	Optional Accessory	Photocontrol, Surge-protective Device, Motion Sensor		
MATERIALS	LED Brand	Lumileds		
	LED Type	SMD2835		
	LED QTY	364*2 PCS		
	Housing	Die-cast aluminum		
	Housing Color	Bronze, Black, or Customized		
	EPA	1.92ft ²		
	Waterproof Rating	WET (IP65)		
OTHERS	Operating Temperature	Without Motion Sensor: -40°C TO 50°C; With Motion Sensor: -35°C TO 50°C		
	Storage Temperature	-40°C TO 80°C		
	Operating Humidity	20 % - 90 % RH		
	Storage Humidity	10 % - 95 % RH		
	Warranty	5 years		

PACKAGE

Stent Type	Lamps Net Weight	Size	Qty/ Carton	Weight/ Carton
AM	5.0Kg (11.02lbs)	765*380*148mm (30.12"*14.96"*5.83")	1	6.4Kg (14.11lbs)
DM	5.2Kg (11.46lbs)	765*380*148mm (30.12"*14.96"*5.83")	1	6.6Kg (14.55lbs)
YM	6.0Kg (13.23lbs)	700*380*148mm (27.56"*14.96"*5.83")	1	7.3Kg (16.09lbs)
A&D	5.3Kg (11.68lbs)	765*380*148mm (30.12"*14.96"*5.83")	1	6.7Kg (14.77lbs)
FM	5.9Kg (13.01lbs)	700*380*148mm (27.56"*14.96"*5.83")	1	7.2Kg (15.87lbs)

Tolerance of Carton Size: ±15 MM[±0.59inch], Tolerance of Weight: ±10%.



LIGHT DISTRIBUTION TESTING PARAMETERS**NOTICE FOR USER**

- Please turn off power before install or change assembly parts.
- The input voltage and lamps should be matched, after connecting the power line, Please make sure the wiring section is insulated.
- No-professionals, must not install and disassemble the lamps.

TROUBLE SHOOTINGS

Troubles	Check points
Flickering of the light	Turn off the power and turn on again in 3 minutes. If same phenomena occur, then call agencies.
Out of working	Please check the connection.

Wattage adjustable instruction

Turn the wattage adjustable switch to a certain wattage gear, the power of the lamp will change to the corresponding wattage. Wattage adjustable range 30%-95%.

Note: Please turn off the power before adjusting the wattage.

