



Adenpal, LLC
+1 713-471-6021
apledworld@gmail.com

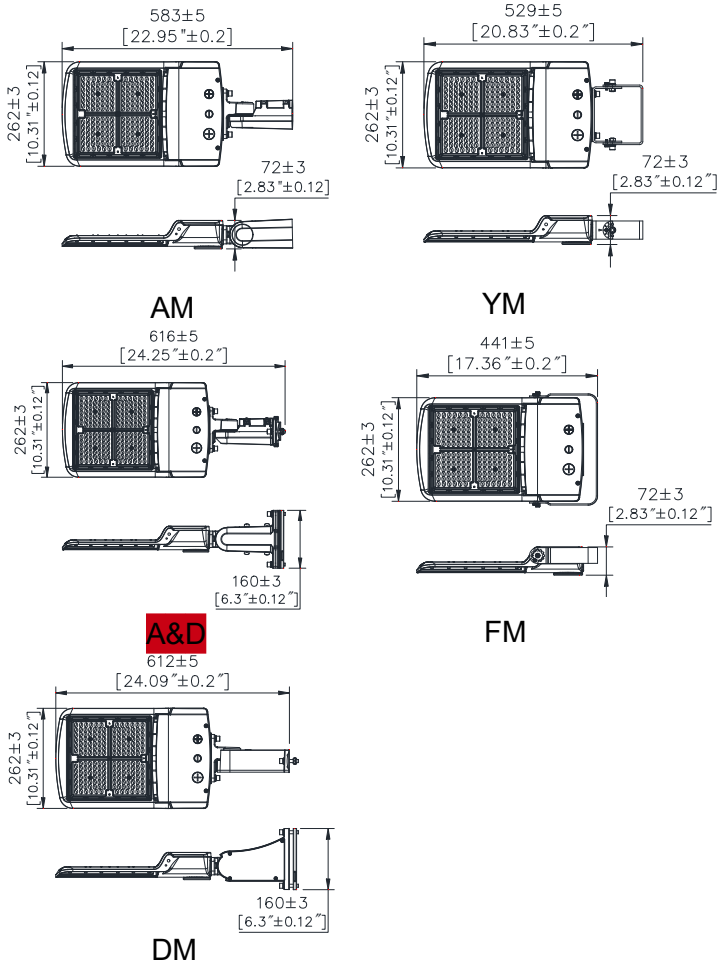
P/N: AST-S-G12C-150WBT3DA1-abcdef

Note:

- AST** = Company name
- S-G12C** = Product series, LED Shoebox Light
- 150W** = Rating Power
- B** = LED manufacturer, Lumileds 2835
- T3** = Diffuser light angle type, TYPE III
- D**=Color Tunable
- A1** = Version number
- "a" can be any two letters for lamp colors;
- "b" represent Photocell, which can be "3RP", "3NP", "5RP", "5NP", "7RP", "7NP" for Photocell type provided or blank for no Photocell provided;
- "c" can be "10SP", "20SP" or blank for Surge protector type provided or not;
- "d" can be "M", "DM", "DP" or blank for DC Motion Sensor, DC PIR Sensor provided or not;
- "e" represent bracket, can be "AM", "DM", "YM", **"A&D"** and "FM" or not;
- "f" can be any two digits to represent CCT, Can be **40/50/57K=4000/5000/5700K**;



DIMENSIONS



ADVANTAGE

- UL cUL DLC5.1 premium certificate.
- Lumileds Chip, high CRI.
- Input voltage 120-277VAC.
- Output constant current lever can be adjusted through output cable with 0-10V.
- No UV or IR in the beam.
- Easy to install and operate.
- Energy saving, long lifespan.
- Light is soft and uniform, safe to eyes.
- Instant start, NO flickering, NO humming.
- Green and eco-friendly without mercury.

APPLICATION

- Outdoor basketball court, tennis court.
- BA&Dinton court, the football field.
- The school playground, stadium.
- Community leisure entertainment plaza, road luminaire etc.

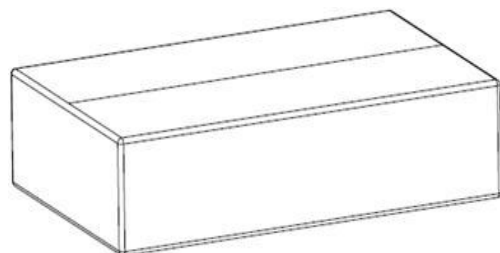
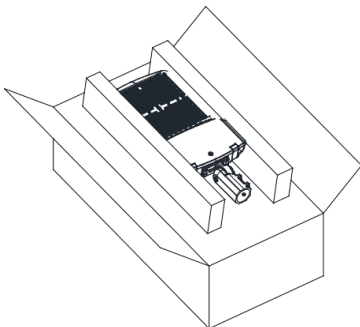
SPECIFICATIONS

OPTICAL	Input Power (Tolerance : $\pm 10\%$)	150W		
	Color Temperature (Color Tunable)	4000K	5000K	5700K
	Lumen (Tolerance : $\pm 10\%$)	20250 LM	22500 LM	19800 LM
	Efficacy (Tolerance : $\pm 3\%$)	135 LM/W	150 LM/W	132 LM/W
	CRI	>80		
	Color Consistency	<7 Steps (or <7 SDCM)		
	BUG	B4-U0-G4		
	Distribution Pattern	Type III		
	Beam Angle (50%) (Tolerance : $\pm 10\%$)	150*100 Degree		
ELECTRICAL	Input Voltage and Frequency	120-277VAC, 50/60Hz		
	PF (Tolerance : -3%)	≥ 0.9		
	THD (Tolerance : +5%)	$\leq 20\%$		
	Flicker Percent	<5%		
	Driver Brand	SOSEN		
	Driver Model	SS-160NH-E260BH		
	Driver Surge protection	L/N-PE: 6kV, L-N: 6kV		
	Dimming	0-10V dimming standard		
	Sensor Type	Occupancy Sensor, Exterior Photocell, Integral Sensor Receptacle		
	Optional Accessory	Photocontrol, Surge-protective Device, Motion Sensor		
MATERIALS	LED Brand	Lumileds		
	LED Type	SMD 2835		
	LED QTY	182*2 PCS		
	Housing	Die-cast aluminum		
	Housing Color	Bronze, Black, or Customized		
	Waterproof Rating	WET (IP65)		
OTHERS	Operating Temperature	Without Motion Sensor: -40°C TO 50°C; With Motion Sensor: -35°C TO 50°C		
	Storage Temperature	-40°C TO 80°C		
	Operating Humidity	20% - 90% RH		
	Storage Humidity	10% - 95% RH		
	Warranty	5 years		

PACKAGE

Stent Type	Lamps Net Weight	Size	Qty/ Carton	Weight/ Carton
AM	3.8 Kg (8.38 LBS)	650*310*148 mm (25.6"*12.2"*5.83")	1	4.9 Kg (10.8 LBS)
DM	4.0 Kg (8.82 LBS)	650*310*148 mm (25.6"*12.2"*5.83")	1	5.1 Kg (11.24 LBS)
YM	4.7 Kg (10.36 LBS)	590*310*148 mm (23.23"*12.2"*5.83")	1	5.7 Kg (12.57 LBS)
A&D	4.1 Kg (9.04 LBS)	650*310*148 mm (25.6"*12.2"*5.83")	1	5.2 Kg (11.46 LBS)
FM	3.8 Kg (8.38 LBS)	590*310*148 mm (23.23"*12.2"*5.83")	1	4.8 Kg (10.58 LBS)

Tolerance of Carton Size: ± 15 mm [± 0.59 inch], Tolerance of Weight: $\pm 10\%$.



LIGHT DISTRIBUTION TESTING PARAMETERS

Luminaire Property

Luminaire Manufacturer:
 Luminaire Category:
 Lamp Catalog:
 Number of Lamps:
 Luminous Length (mm):
 Luminous Height (mm):
 Current: 1.220 A
 Power Factor: 0.999

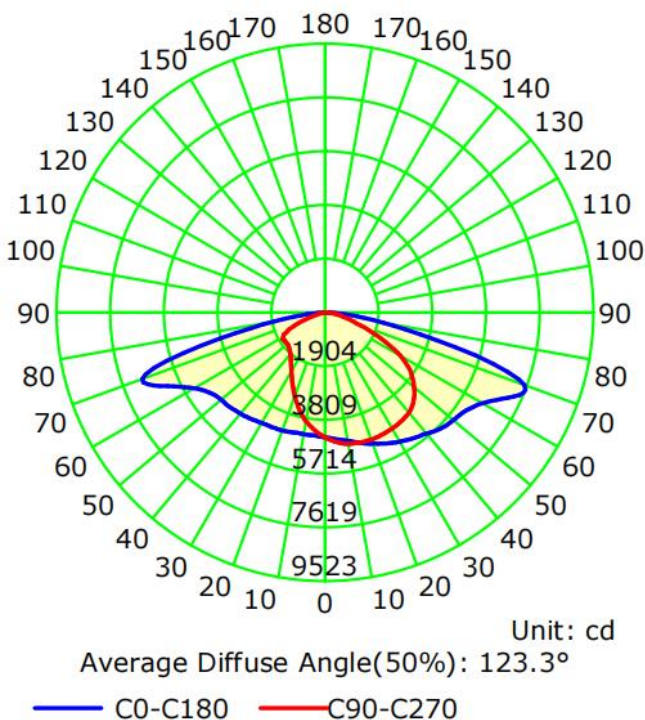
Luminaire Description:
 Lamp Description:
 Lumens per Lamp:
 Luminous Width (mm):
 Voltage: 120.0 V
 Power: 146.20 W

Photometric Results

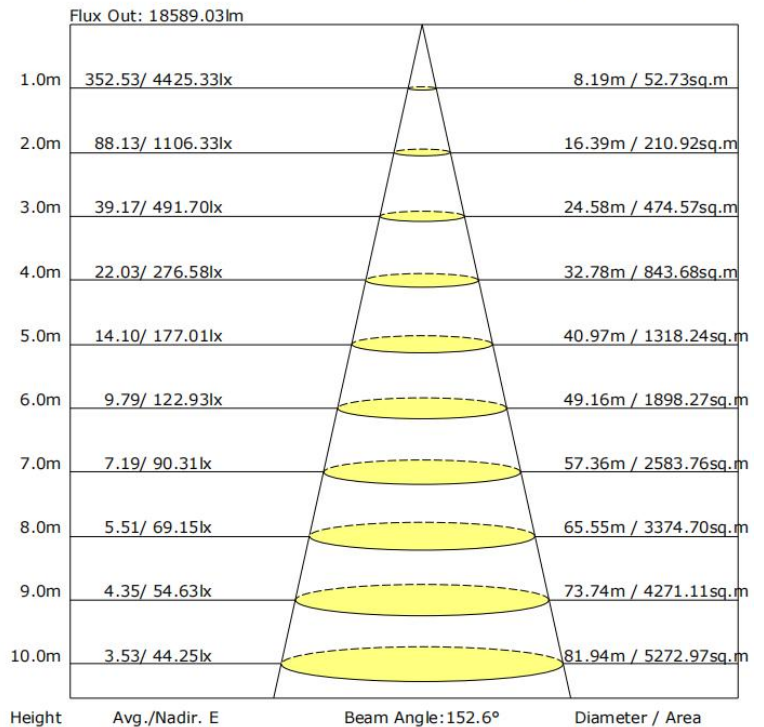
IES Classification: Type III
 Total Rated Lamp Lumens: 19850.5 lm
 Efficiency: 100%
 Upward Ratio: 0%
 C0r0 Intensity: 4425.33 cd
 Pos of Max. Intensity: H0 V69
 Beam Angle(C0/C180,C90/C270,C45/C225,C135/315): 152.6, 93.9, 122.4, 141.0

Longitudinal Classification: Medium
 Measurement Flux: 19850.5 lm
 Downward Ratio: 100%
 Luminaire Efficacy Rating (LER): 135.83
 Max. Intensity: 7619.16 cd

Luminous Intensity Distribution Curve



The Average Illuminance Effective Figure



NOTICE FOR USER

- Please turn off power before install or change assembly parts.
- The input voltage and lamps should be matched, after connecting the power line, Please make sure the wiring section is insulated.
- No-professionals, must not install and disassemble the lamps.

TROUBLE SHOOTINGS

Troubles	Check points
Flickering of the light	Turn off the power and turn on again in 3 minutes. If same phenomena occur, then call agencies.
Out of working	Please check the connection.